



InGaAs PIN Photodiode

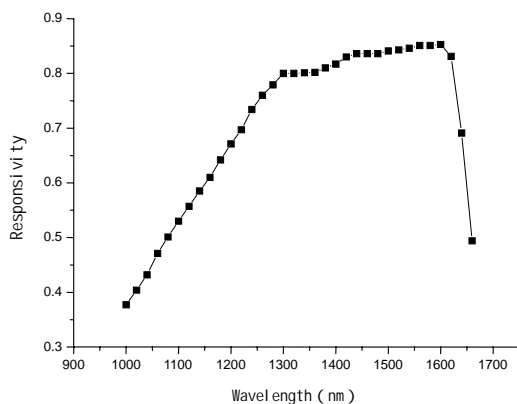
Type: PDS373-FC-01

ELECTRO-OPTICAL CHARACTERISTICS(T=25°C):

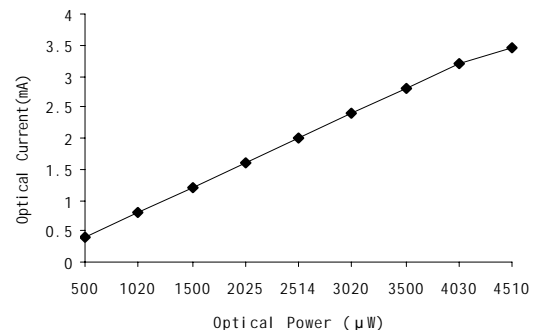
Parameters	Symbol	Test Conditions	Min.	Typ.	Max.	Unit
Wavelength			1000		1650	nm
Dark Current	I_D	$E_c=0, -5V$		1.5	3	nA
Responsivity	R_e	1310nm	0.85	0.90		A/W
		1550nm	0.90	0.95		
Active diameter				500		μm
Operating Voltage	V_{opr}			-3	-5	V

Absolute maximum ratings:

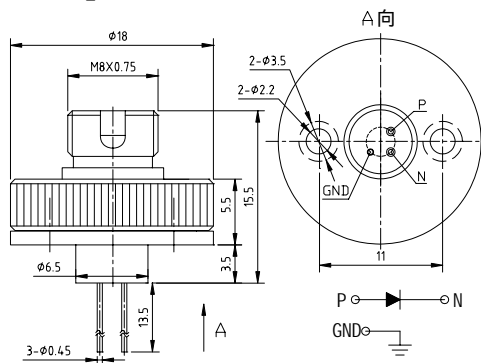
Parameters	Symbol	Value	Unit
Reverse Voltage	V_R	15	V
Reverse Current		5	mA
Forward Current	I_P	10	mA
Operating Temperature Range	T_{opr}	-40—+85	
Storage Temperature Range	T_{stg}	-40—+85	
Lead Solder Temperature		260(10s)	



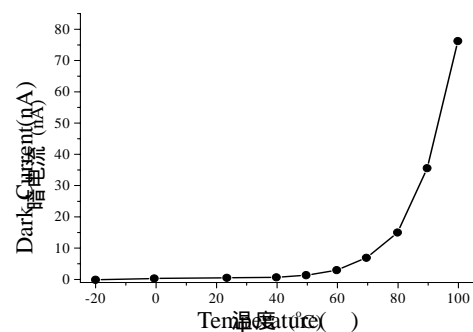
Spectrum Curve



Current-Optical Power Curve



Package Dimensions (mm)



Dark Current-Temperature Curve

Precautions: ESD protection is imperative.